

Model No: D26NC05-06

Product Line: Tymphany

Rev: 1.0

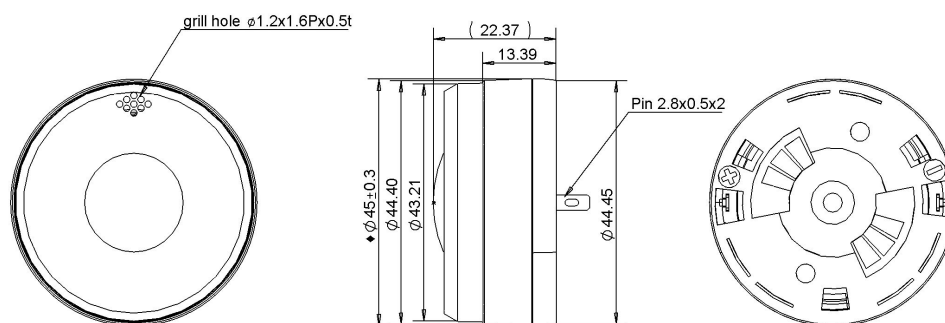
Last Update: 2016-11-15 19:45:35

## Product Description

This D family tweeter features an 6 ohm 25 mm voice coil, a treated silk dome, a rear chamber for low resonant frequency and a ferrofluid-cooled NdFeB motor. The neodymium magnet and rear chamber allow for robust power handling capacity.



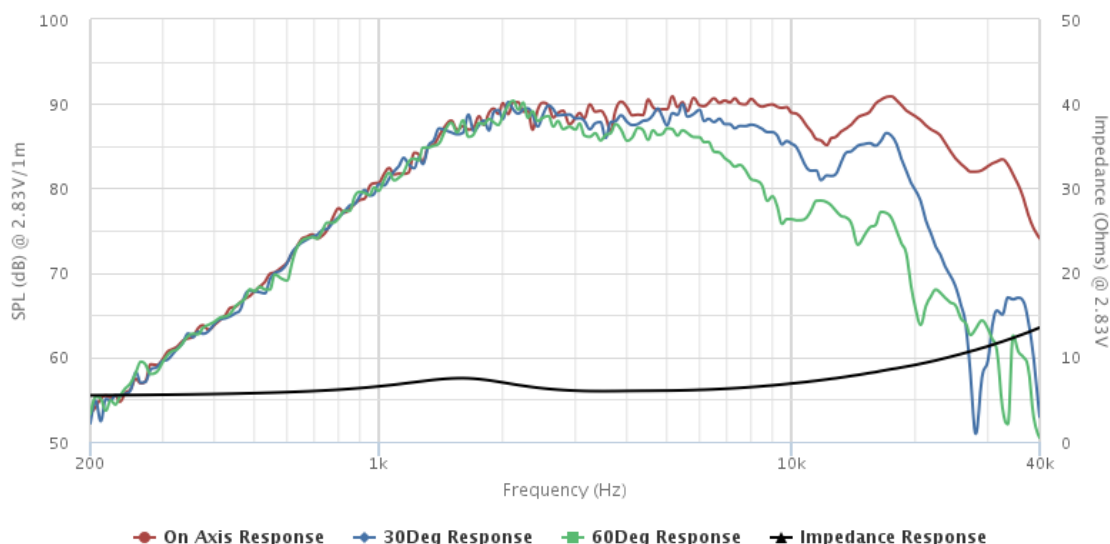
## Mechanical Drawing



## Specifications

DC Resistance	Revc	Ohms	4.66	5.0%	Energy Bandwidth Product	EBP	(1/Qes)*fs
Minimum Impedance	Zmin	Ohms	5.99	7.5%	Moving Mass	Mms	g
Voice Coil Inductance	Le	mH	0.02		Suspension Compliance	Cms	um/N
Resonant Frequency	Fs	Hz	1579.09	15%	Effective Cone diameter	D	cm
Mechanical Q Factor	Qms		1.11		Effective Piston Area	Sd	cm <sup>2</sup>
Electrical Q Factor	Qes		2.61		Effective Volume	Vas	L
Total Q Factor	Qts		0.78		Motor Force Factor	BL	Tm
Ratio Fs/Qts	F	Fs/Qts	2029.68		Motor Efficiency Factor	β	(T*M <sup>2</sup> )/Ohms
Half Space Sensitivity @2.83V	db@2.83V/1M	dB	88.66	+/- 1.0db	Voice coil former Material	VCfm	ASV
Half Space Sensitivity @1W/1M	db@1W/1M	dB	87.4	+/- 1.0db	Voice coil inner diameter	Vcd	mm
Gap Height	Gh	mm	2.5		Rated Noise Power	P	W
Maximum Linear Excursion	Xmax	mm	0.5		Test Spectrum Bandwidth		1.3KHz-20KHz
Ferrofluid Type	FF		APG834		Driver Size	Inch	25 mm
Driver Mass	Kg		0.07				

## Frequency and Impedance Response



Highcharts.com