

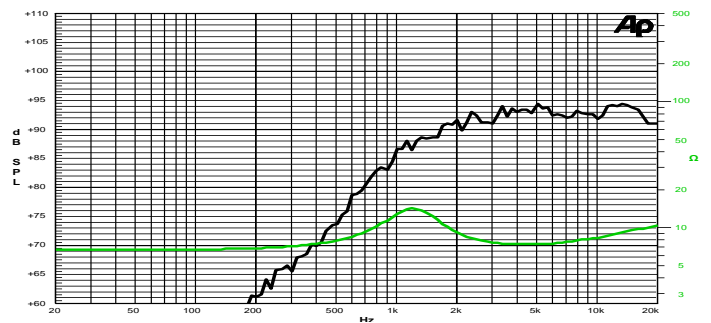
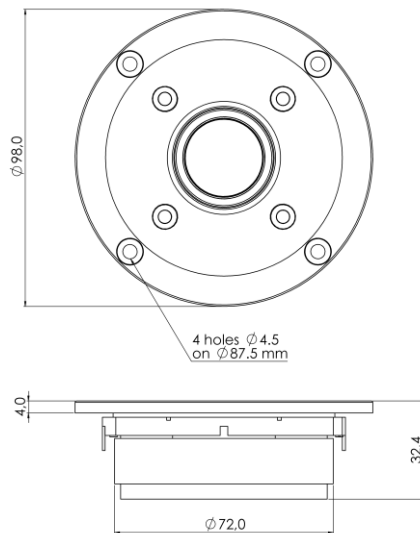
LP 98.25/245 TW 8Ω

Dome Tweeter

1" | 120 W

Code Z009170

- 1" voice coil Aluminium former
- TSDD Treated Silk dome with Additional Damping Treatment
- FF Ferrofluid in Air Gap
- Ferrite Magnet Circuit
- 93.1 dB sensitivity



Frequency Response on IEC Baffle (DIN 45575) @ 1W,1m – Free Air Impedance

General Specifications

Nominal Diameter	98 mm
Nominal Impedance	8 Ω
Rated Power AES ⁽¹⁾	25 W
Continuous Program Power ⁽²⁾	50 W
Rated Noise Power (IEC 60268-5) ⁽³⁾	120 W
Sensitivity @ 1W/1m ⁽⁴⁾	93.1 dB
Voice Coil Diameter	25 mm (1")
Voice Coil Winding Depth	1.7 mm
Magnetic Gap Depth	2.0 mm
Flux Density	1.70 T
DC Resistance	6.0 Ω
Resonance Frequency	1.2 kHz
Magnet Weight	245 g
Net Weight	0.6 kg
Recommended Crossover Frequency	2.5 kHz

Constructive Characteristics

Magnet	Ferrite
Voice Coil Winding Material	Copper
Voice Coil Former Material	Aluminium
Diaphragm	Treated Silk
Ferrofluid in Air Gap	Yes
Flange	Aluminium
Spare Part Code	Z009407

Mounting Information

Overall Diameter	98 mm
Baffle Cutout Diameter	78 mm
Mounting Holes	4 holes ø4,5 on ø87,5 mm
Total Depth	32.4 mm

(1) Rated Power measured with 2-hour test with pink noise signal, 6dB crest factor. (2) Power on Continuous Program is defined as 3dB greater than the Rated Power. (3) Rated Noise Power measured with 100 hours test pink noise, 6 dB crest factor IFC60268-5 filtering. (4) Measured at 1W, 1m in axis within the frequency range